

Sheet #

1

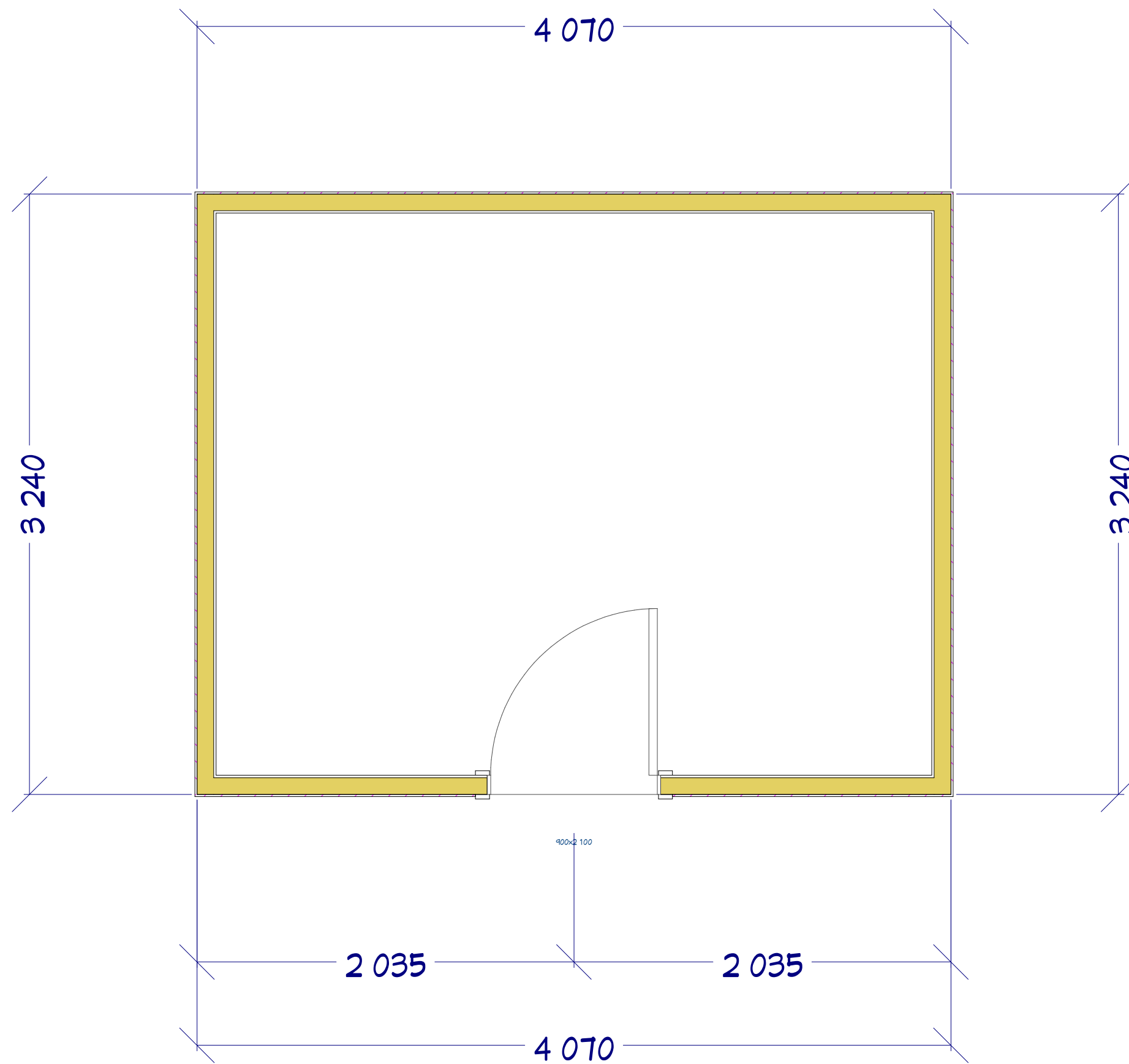
Drawn By:

CHM

Date:

12/02/2024

Scale:



LIVING AREA  
13.2 SQ M

Floorplan Prepared for the  
Renall Bach